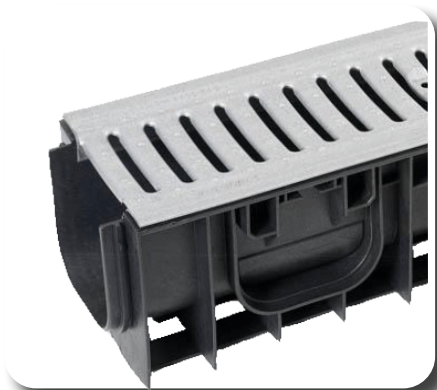
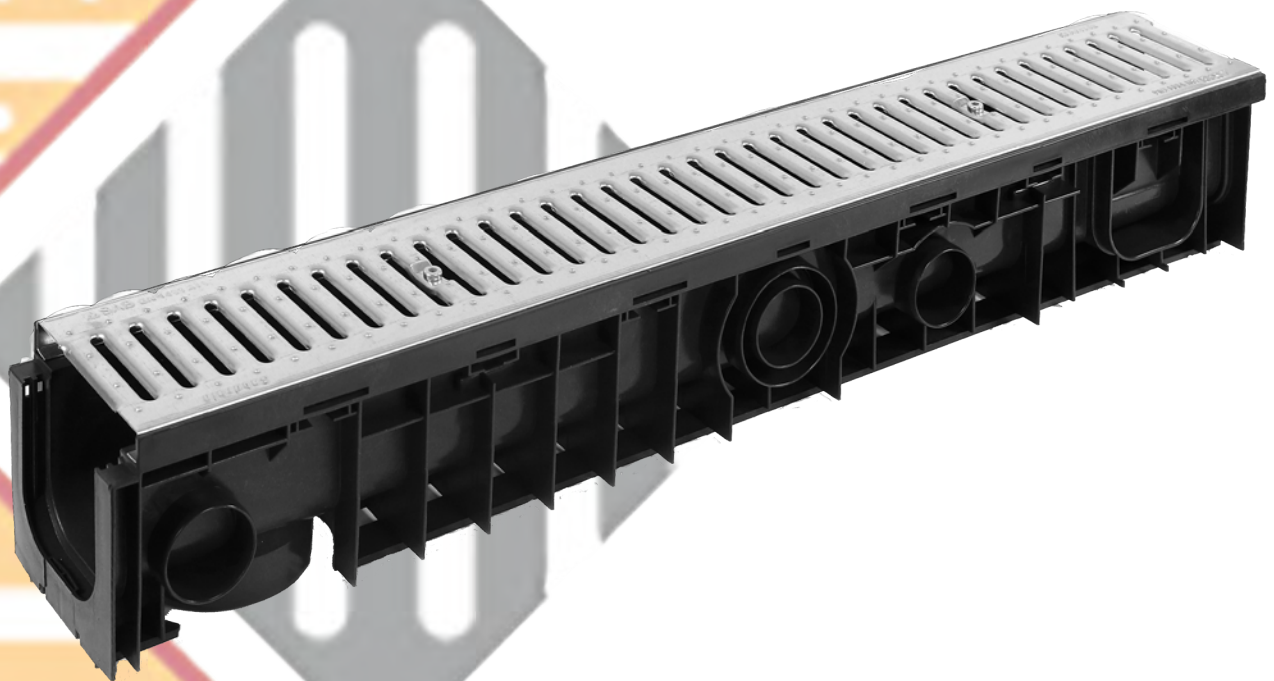




SAB drain
water drainage systems

507 METAL GRATED CHANNEL



The details that make the difference.....

CLASS A METAL GRATED CHANNEL

SABdrain 507 is a lightweight and easily installed drainage channel designed for use in pedestrian areas such as plazas, walkways, malls and residential driveway situations. Due to its unique high strength profile and edgeless design, this channel is ideally suited for paving and tiling applications. The slotted pressed metal grate utilises a click-clack fixing system allowing quick and easy access to the drainage system.



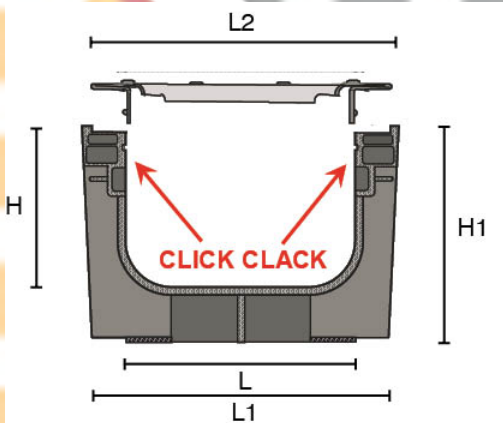
Residential



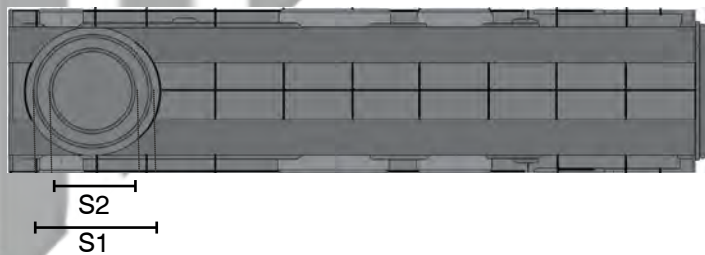
Class A

SABDRAIN 507							
SIZE	L	H	L1	H1	L2	A	cm2
100 x 50	100	50	150	80	143	1000	260
100 x 100	100	100	150	130	143	1000	260
100 x 150	100	150	150	200	145	1000	260
	D1	D2	D3	D4	D5	S1	S2
100 x 50	43	-	-	40	100	110	63
100 x 100	63	90	63	90	100	110	63
100 x 150	63	110	63	90	100	110	63

END PROFILE



BOTTOM PROFILE



SIDE PROFILE

