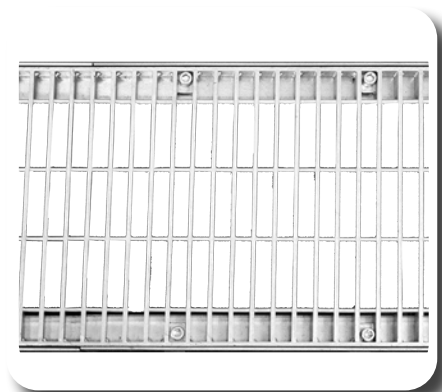
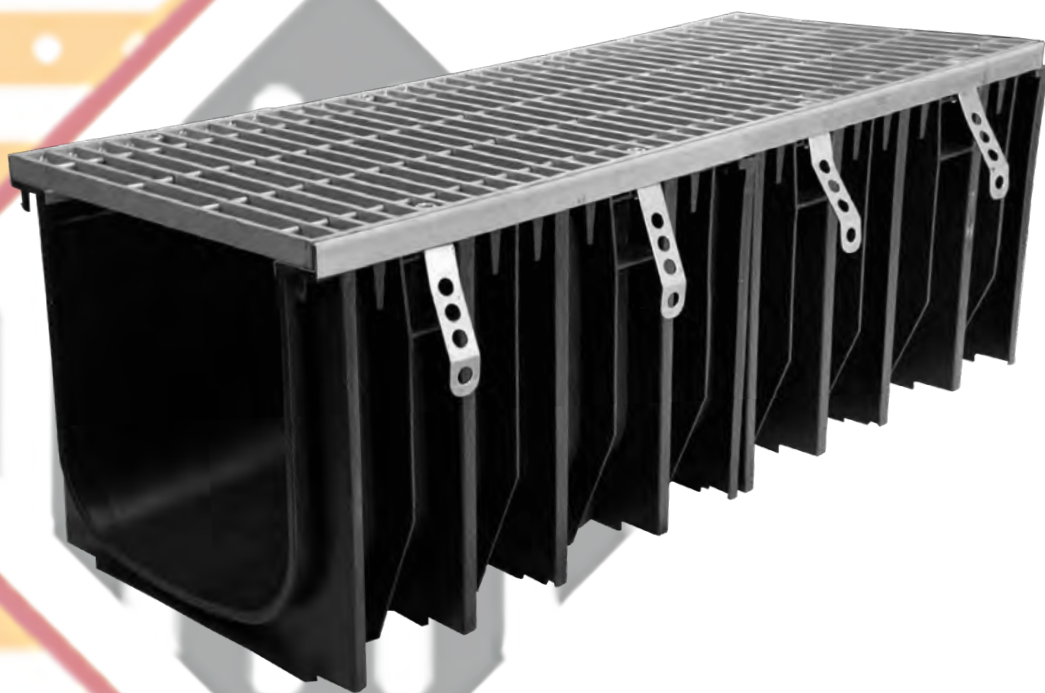




**SAB** *drain*  
water drainage systems

# 603 GALVANISED GRATED CHANNEL



**The details that make the difference.....**

# CLASS B POLYPROPYLENE DRAINAGE CHANNEL

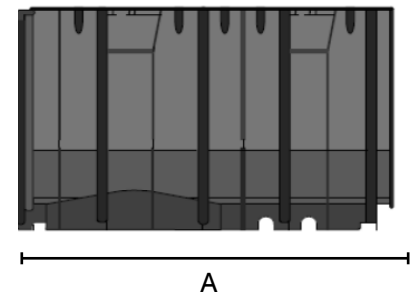
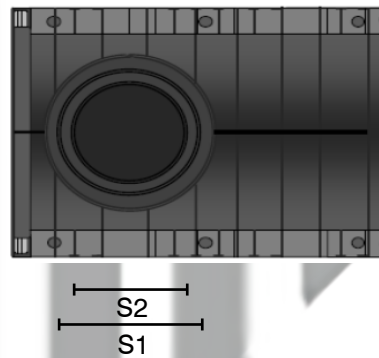
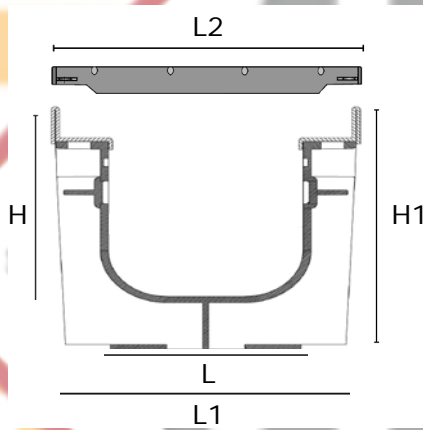
SABdrain 603 series combines the flexibility and durability of a polypropylene drainage channel unit whilst still being able to satisfy the strength requirements for situations that require accessibility for passenger and light vehicles, as well as malls & areas open to slow moving heavy commercial vehicles. This rated channel and grate has been designed to offer maximum versatility while delivering a lifetime of low maintenance service. Each galvanised grate comes with a 8 point security fixing, to keep it rattle free from vehicular movements & secure it from unauthorised access, as well as steel side edges to give greater resistance to heavy loads.



C150



Lockdown



SABDRAIN 603										
CODE	L	H	L1	H1	L2	Drain cm <sup>2</sup> (1M)	S1	S2	A	KG
DR603300200	300	200	390	270	376	2882	160	200	500mm (sold in 1M lengths)	34.15
DR603300300	300	300	390	370	376	2882	160	200	500mm (sold in 1M lengths)	35.6

