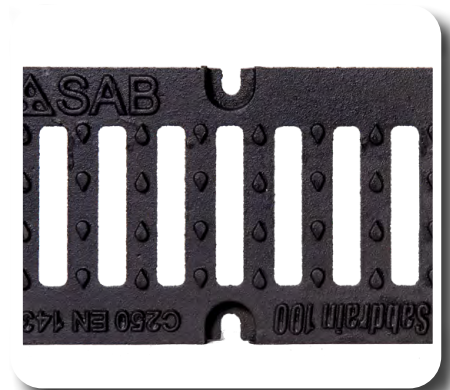
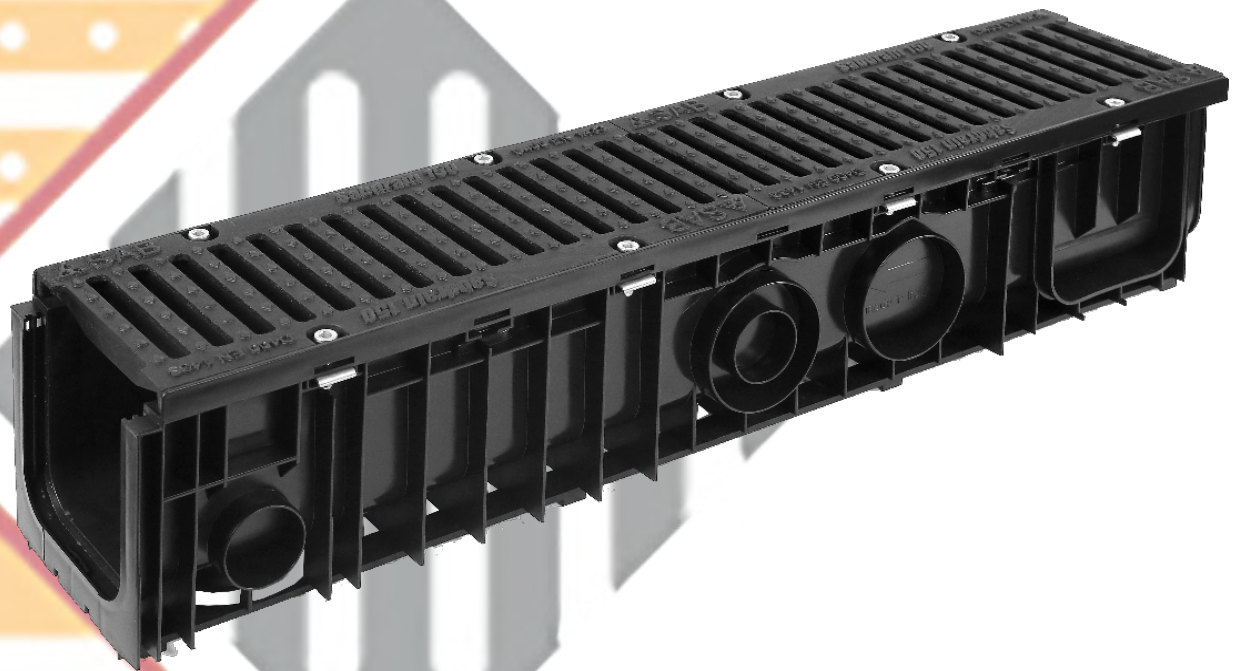




**SAB** drain  
water drainage systems

# 704 CAST IRON GRATED CHANNEL



**The details that make the difference.....**

# CLASS D CAST IRON GRATED DRAINAGE CHANNEL

SABDrain 704 provides the ultimate desirability for design and functionality of any drainage channel available to the civil construction market. Due to the lightweight channel unit and high strength cast iron grate, the flexibility and durability of this product is able to satisfy the most demanding requirements placed upon it. This rated channel and grate has been designed for situations that require accessibility for heavy commercial vehicles as well as being able to cater for the needs of highway use. Each grate is equipped with an 8 point security fixing system, to keep it rattle free from vehicular movements and secure it from unauthorised access.



Class C



Class D

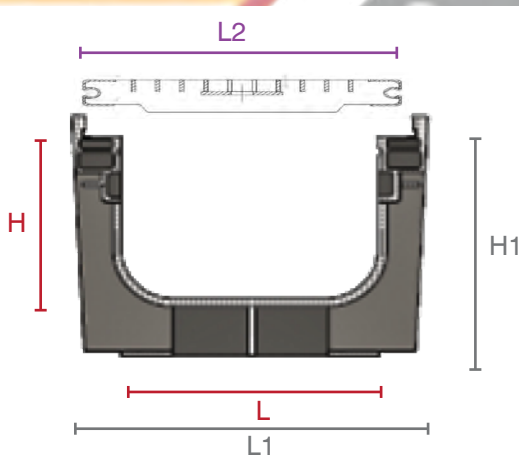


Anti-Slip

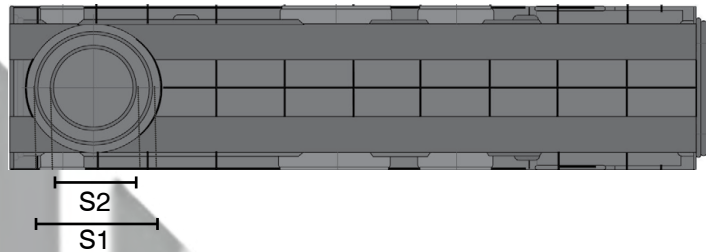


Lockdown

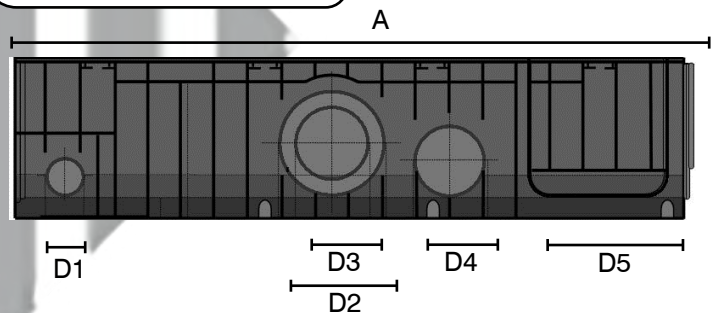
## END PROFILE



## BOTTOM PROFILE



## SIDE PROFILE



### SABDRAIN 704

CODE	L	H	L1	H1	L2	Drain cm <sup>2</sup>	D1	D2	D3	D4	D5	S1	S2	A	Kg
DR704100100	100	100	150	150	146	220	63	90	63	63	100	110	63	1000	10.3
DR704100150	100	150	150	200	146	220	63	110	63	110	100	110	63	1000	12.7
DR704150150	150	150	200	200	197	348	63	110	63	110	150	110	63	1000	16.1
DR704200100	200	100	250	150	247	494	63	90	63	63	200	160	110	1000	18.5
DR704200150	200	150	250	200	247	494	63	110	63	90	200	160	110	1000	19
DR704200200	200	200	250	250	247	494	63	160	110	90	200	160	110	1000	19.5
DR704200250	200	250	250	300	247	494	63	160	110	90	200	160	110	1000	20.2
DR704200300	200	300	250	350	247	494	63	160	110	90	200	160	110	1000	20.6

