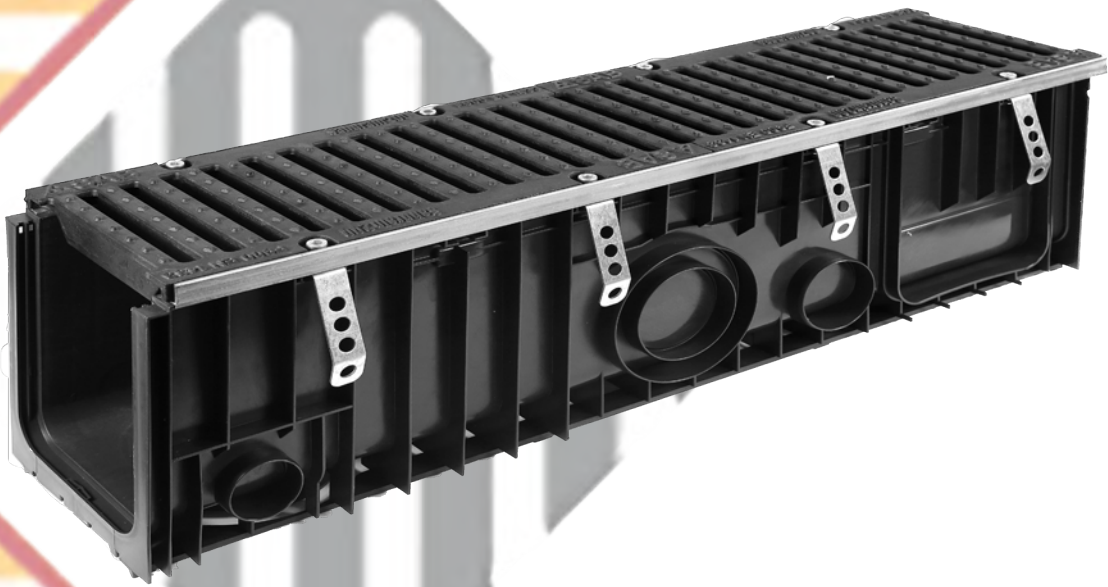




SAB drain
water drainage systems

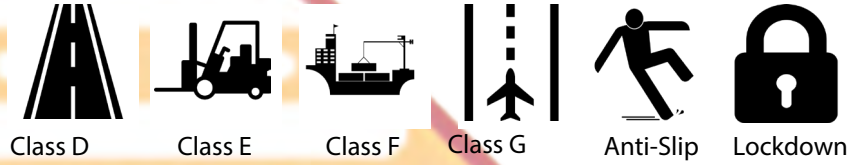
706 CAST IRON GRATED CHANNEL



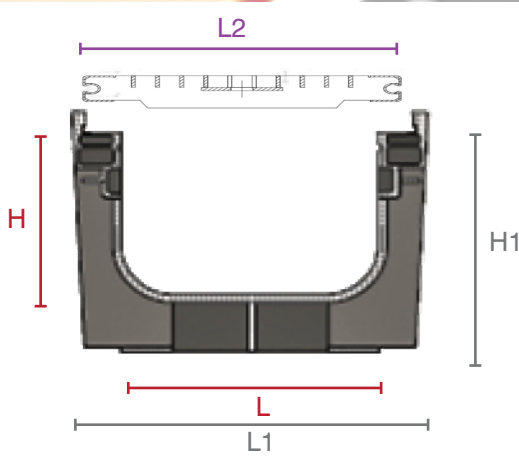
The details that make the difference.....

CLASS G POLYPROPYLENE DRAINAGE CHANNEL

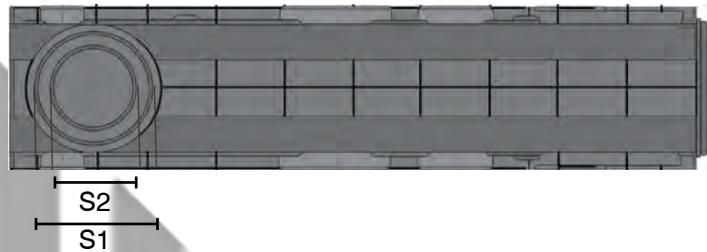
SABDrain 706 is a heavy duty cast iron grated channel which comes with steel support edging to guarantee higher performance for heavy loads and high wheeled traffic up to the class G rating. This includes aircraft traffic, loading docks, container terminals, military and all hard wheeled vehicles. This high strength cast iron grate is equipped with an 8 point security fixing system to keep it rattle free from vehicular movements and secure from unauthorised access.



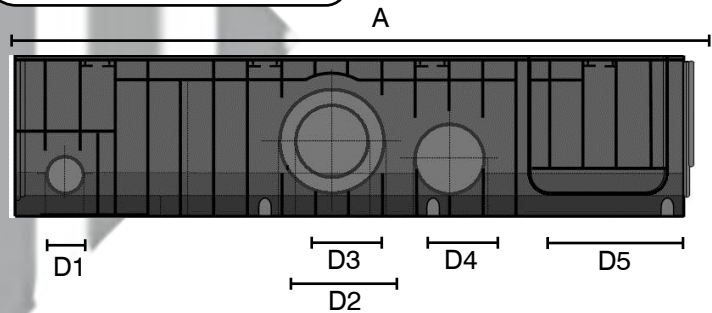
END PROFILE



BOTTOM PROFILE



SIDE PROFILE



SABDRAIN 706

CODE	L	H	L1	H1	L2	Drain cm ²	D1	D2	D3	D4	D5	S1	S2	A	Kg
DR706100100	100	100	150	150	146	220	63	90	63	63	100	110	63	1000	17
DR706100150	100	150	150	200	146	220	63	110	63	110	100	110	63	1000	17.5
DR706150150	150	150	200	200	197	348	63	110	63	110	150	110	63	1000	23.9
DR706200100	200	100	250	150	247	476	63	90	63	63	200	160	110	1000	29.8
DR706200150	200	150	250	200	247	476	63	110	63	110	200	160	110	1000	30.3
DR706200200	200	200	250	250	247	476	63	160	110	110	200	160	110	1000	30.8
DR706200250	200	250	250	300	247	476	63	160	110	110	200	160	110	1000	31.2
DR706200300	200	300	250	350	247	476	63	160	110	110	200	160	110	1000	31.6

