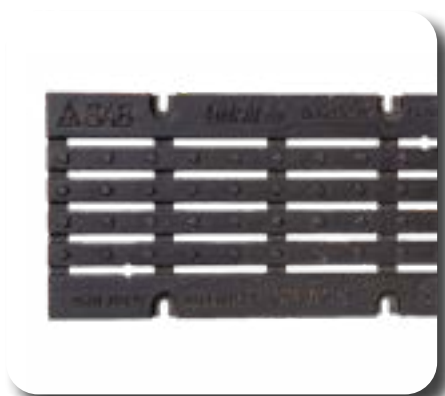




SABdrain
water drainage systems

707 CAST IRON HEEL GUARD GRATED CHANNEL



The details that make the difference.....

CLASS D CAST IRON HEEL GUARD DRAINAGE CHANNEL

SABdrain 707 provides the ultimate desirability for design and functionality of any drainage channel available to the civil construction market. From its lightweight channel unit to the high strength heel guard cast iron grate, the flexibility and durability of this product is able to offer the most demanding requirements placed upon it. This rated channel and grate has been designed to withstand fast heavy moving vehicles used in commercial areas along with motorways/highways meeting the Class D requirements. Each grate is equipped with 4 point security fixings system to keep this rattle free from vehicular movements and secured from unauthorised access.



Class C



Class D



Heel Guard



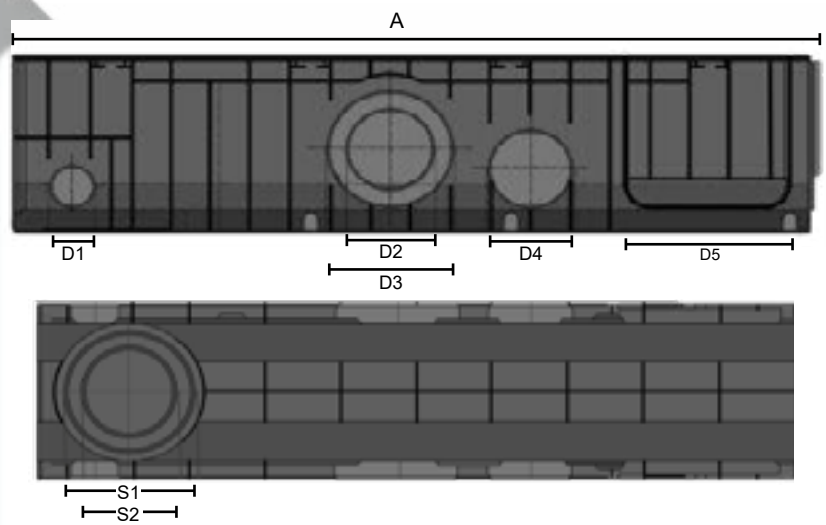
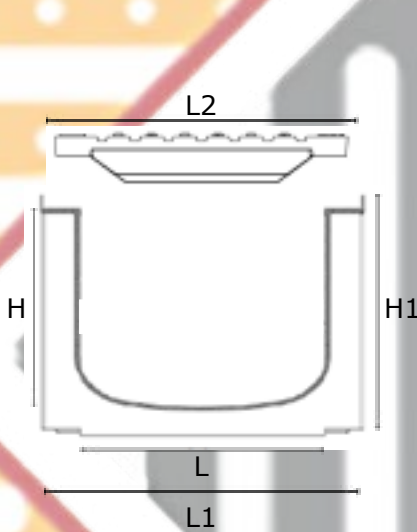
Anti-Slip



Lockdown



Disability Compliant



SABDRAIN 707

| CODE | L | H | L1 | H1 | L2 | Drain cm ² | D1 | D2 | D3 | D4 | D5 | S1 | S2 | A | KG |
|-------------|-----|-----|-----|-----|-----|-----------------------|----|-----|-----|-----|-----|-----|-----|------|------|
| DR707100100 | 100 | 100 | 150 | 150 | 147 | 81 | 63 | 90 | 63 | 63 | 100 | 110 | 63 | 1000 | 16.8 |
| DR707100150 | 100 | 150 | 150 | 200 | 147 | 81 | 63 | 110 | 63 | 110 | 100 | 110 | 63 | 1000 | 17.3 |
| DR707150100 | 150 | 100 | 200 | 150 | 197 | 137 | 63 | 90 | 63 | 63 | 150 | 110 | 63 | 1000 | 21.8 |
| DR707150150 | 150 | 150 | 200 | 200 | 197 | 137 | 63 | 110 | 63 | 110 | 150 | 110 | 63 | 1000 | 22.5 |
| DR707200100 | 200 | 100 | 250 | 150 | 247 | 191 | 63 | 90 | 63 | 63 | 200 | 160 | 110 | 1000 | 27.1 |
| DR707200150 | 200 | 150 | 250 | 200 | 247 | 191 | 63 | 110 | 63 | 90 | 200 | 160 | 110 | 1000 | 27.6 |
| DR707200200 | 200 | 200 | 250 | 250 | 247 | 191 | 63 | 160 | 110 | 90 | 200 | 160 | 110 | 1000 | 28.1 |
| DR707200250 | 200 | 250 | 250 | 300 | 247 | 191 | 63 | 160 | 110 | 90 | 200 | 160 | 110 | 1000 | 28.6 |
| DR707200300 | 200 | 300 | 250 | 350 | 247 | 191 | 63 | 160 | 110 | 90 | 200 | 160 | 110 | 1000 | 29.1 |

